

COMPRESSED AIR COOLING | Air UPA Series

COPPER TUBE CONSTRUCTION

Features

- Full Line of Sizes and Features
- Energy Efficient
- High Performance
- Low flows to 100 CFM
- Floor or Suspended Mounting
- Lightweight, may be Shipped UPS
- Ratings Based on Comprehensive Testing
- Attractive, Durable Baked Enamel Finish
- Floor or Suspended Mounting
- Detachable Legs (shipped unattached)



Shown with optional moisture separators

Southwest Thermal Technology

Questions? Call Sales M-F 8am-5pm PT
p. 888-226-8522 | www.SouthwestThermal.com

Ratings

Maximum Operating Pressure 250 PSIG

Maximum Operating Temperature 350° F

Materials

Cabinet Steel with Baked Enamel Finish

Core Aluminum Fins on Copper Tubes

Fan Heave Gauge Aluminum with Steel Hub

Motor Open Vented

Fan Guard Zinc Chromate Plated Steel

How to Order

UPA

Model Series
UPA

Model Size Selected

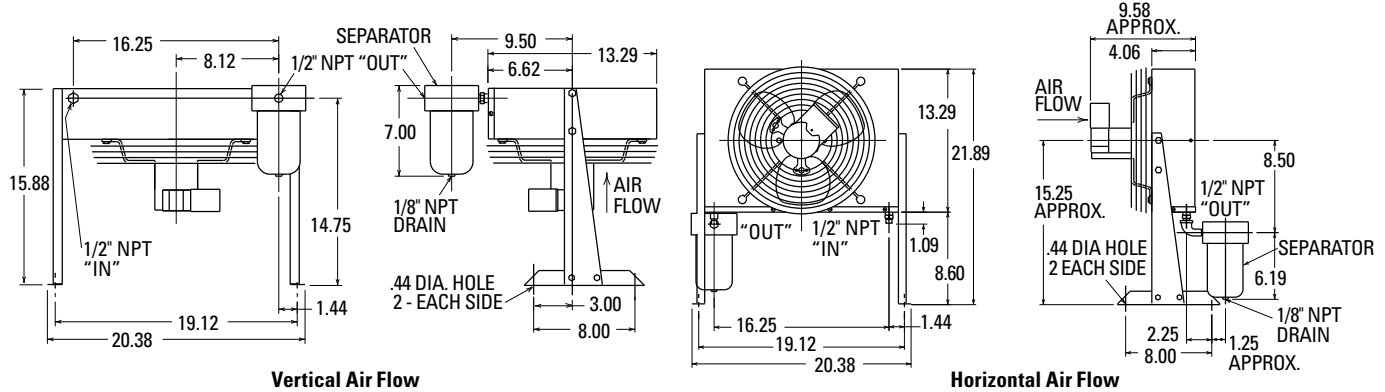
Specify Motor Required

0 - No Motor

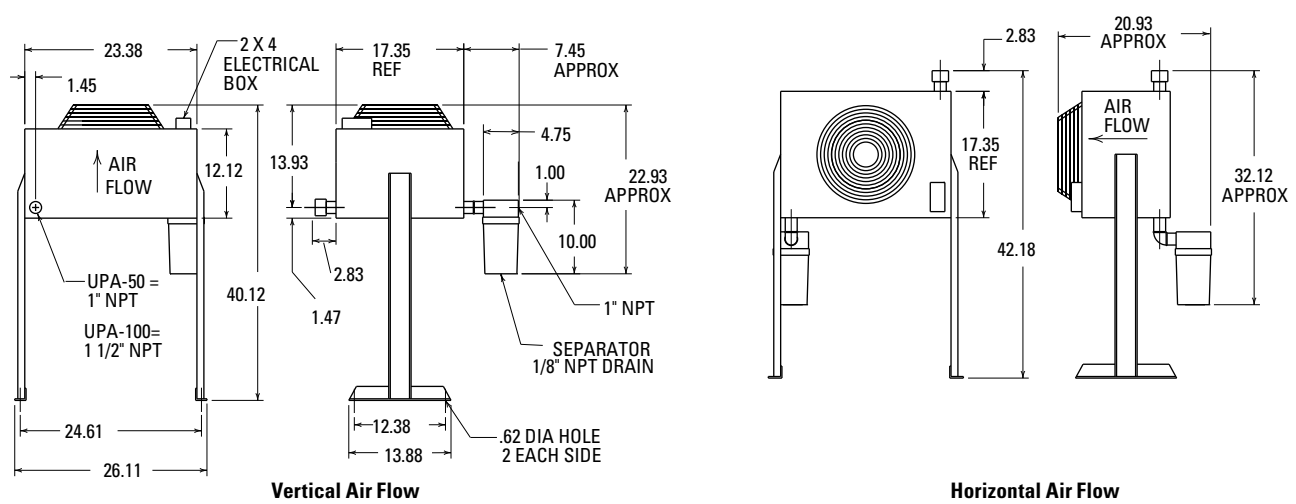
1 - Single Phase 60 Hz ODP 115 Volt

Dimensions

Models UPA-20 & UPA-35



Models UPA-50 & UPA-100



Note: We reserve the right to make reasonable design changes without notice. All dimensions are in inches.

Capacity Selection Chart Max. SCFM @ 5, 10, 15 and 20°F Approach

| Inlet Temp. °F | 150 | | | | 200 | | | | 250 | | | | 300 | | | | 350 | | | | Recommended Optional Separator Model Number | |
|-----------------|-------------------|----|------|------|------|----|-----|------|------|----|----|-----|------|----|----|-----|-----|----|----|----|---|--------------|
| | Approach Temp. °F | 5 | 10 | 15 | 20 | 5 | 10 | 15 | 20 | 5 | 10 | 15 | 20 | 5 | 10 | 15 | 20 | 5 | 10 | 15 | | 20 |
| Model Number | UPA-20 | 17 | 35* | 35* | 35* | 11 | 22 | 35 | 35* | 8 | 16 | 20 | 35 | 6 | 12 | 19 | 26 | 5 | 10 | 15 | 21 | S-50M or AD |
| | UPA-35 | 29 | 43* | 43* | 43* | 17 | 36 | 43* | 43* | 12 | 27 | 35 | 42* | 10 | 20 | 31 | 42* | 8 | 16 | 26 | 35 | |
| | UPA-50 | 43 | 72 | 72* | 72* | 28 | 50 | 70 | 72* | 22 | 35 | 50 | 70 | 18 | 32 | 45 | 57 | 15 | 28 | 39 | 50 | S-100M or AD |
| | UPA-100 | 95 | 125* | 125* | 125* | 66 | 111 | 125* | 125* | 52 | 88 | 100 | 125* | 44 | 74 | 100 | 125 | 38 | 64 | 86 | 108 | |

Above specifications are based on 80 to 125 PSIG operating pressures. Maximum pressure drop, less than 3 psi.
 A flexible metal hose must be properly installed between the compressor and aftercooler to validate warranty.
 *Maximum ratings restricted by pressure drop, actual thermal capacities are higher.

Electric Motor & Fan Data

| Model | Fan CFM | Motor H.P. | Voltage | Phase | Full Load Amps | Hz | RPM | Nema Frame | Thermal Overload | Approx. Shipping Weight (Lbs.) |
|---------|---------|------------|---------|-------|----------------|----|------|------------|------------------|--------------------------------|
| UPA-20 | 615 | 1/12 | 115/230 | 1 | 2.4/1.2 | 60 | 1550 | Custom | Yes | 25 |
| UPA-35 | | | | | | | | | | 27 |
| UPA-50 | 945 | 1/12 | 115/230 | 1 | 2.7/1.4 | 50 | 1300 | Custom | Yes | 61 |
| UPA-100 | | | | | | | | | | 67 |

Published electrical ratings are approximate, and may vary because of motor brand. Actual ratings are on motor nameplate.